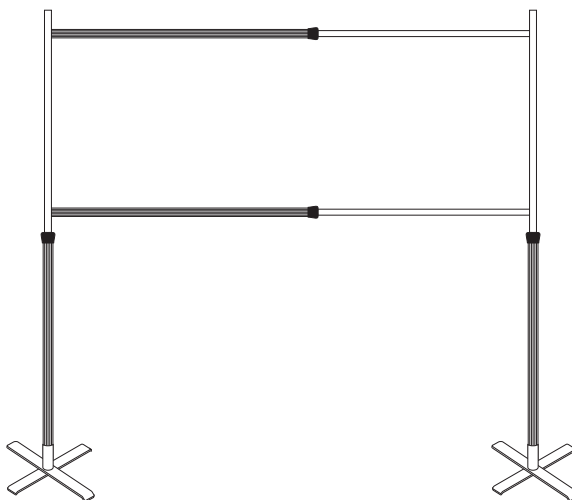


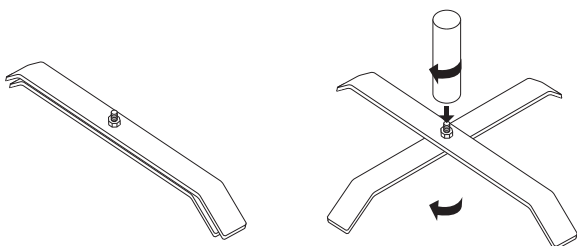
Assembly Instructions for: Horizontal Banner

Use these pictures to help you erect your horizontal banner 2m wide X 1m high banner, with a one metre high pole below the banner.



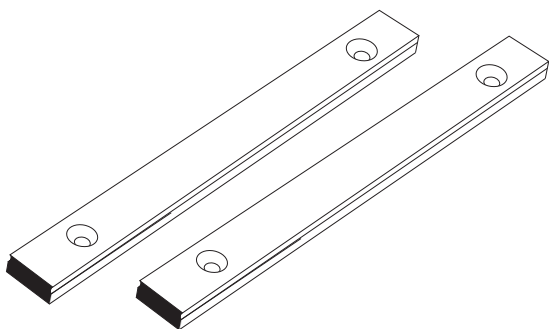
Step 1.

Open the "cross-bar" feet or and take a one metre standard pole (not the adjustable telescopic poles) and screw it into each "cross-bar" foot. Stand up about two metres apart.



Step 2.

The banner is attached to the left and right Rails and secured with a rod into the channel of the rails.



Step 3.

Unfurl the banner and place printed side face-down.

Step 4.

The adjustable telescopic poles are now used as horizontal braces. Place the telescopic pole horizontally. Screw the base of each telescopic pole (female) into each male bolt on both slots for the correct rail, top and bottom (only one rail).



Step 5.

Unlock each telescopic pole (twist to unlock) and place into the slots on the opposite rail.

Step 6.

Carefully lift the banner assembly to the vertical as you want to view the banner and place the black bushes of each rail into the top slots of the left and right standard pole assembled in 1.

Step 7.

You can adjust the tension of the telescopic poles again so that the banner is tensioned to look flat and smooth for the best presentation.