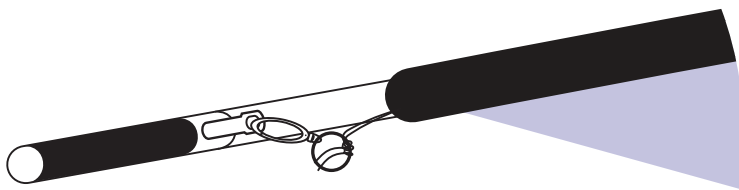
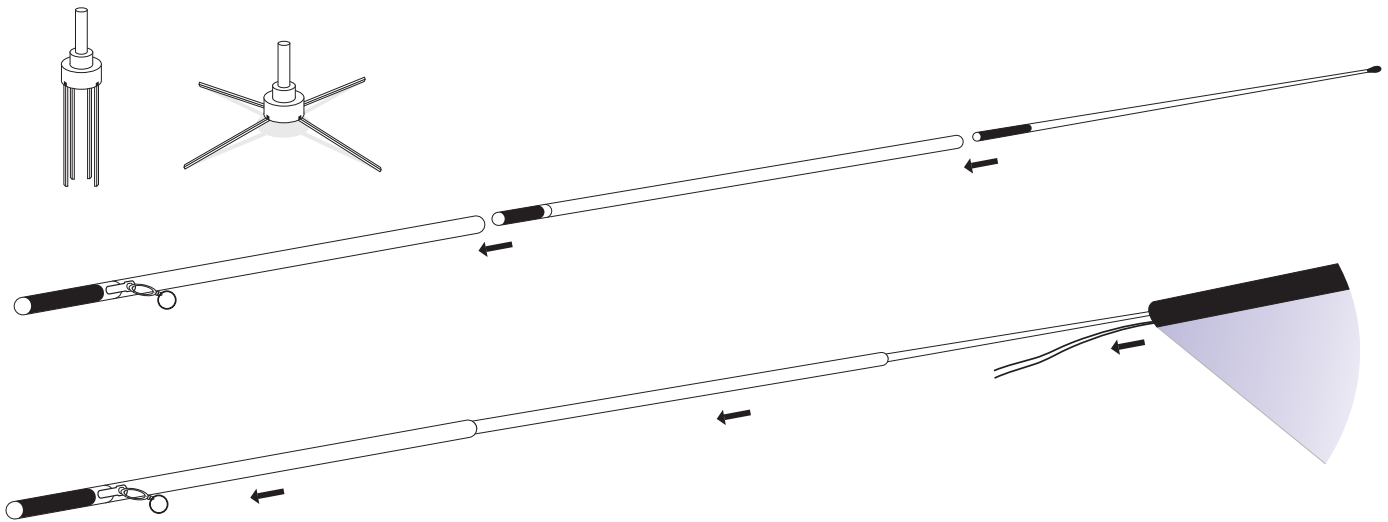


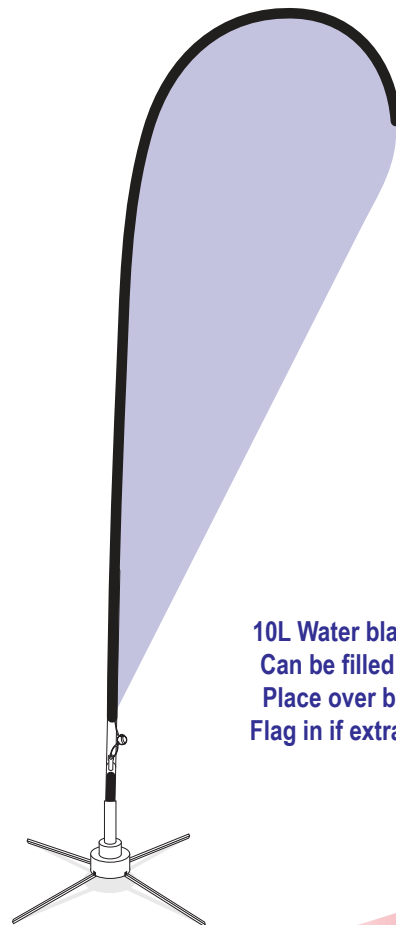
The Banner Lady[™]
'creating simply beautiful banners'



Assembly Instructions for: **Tear Drop Flag**



Make Sure flag is pulled down as tight as possible then tied to key ring as shown



10L Water bladder also provided.
Can be filled with water or sand.
Place over base before slotting
Flag in if extra weight is required.